

NOTES:

- 1) FRAME ASSEMBLY SHOWN UPSIDE DOWN LOOKING AT R.H. SIDE.
- 2) ROUTING SHOWN FOR REAR, SEE SHIT 2 FOR AS/HT ROUTING.
- 3) FOR USE WITH ALL MODELS EXCEPT T300, WITH PARALLEL PLUMBING ROUTED UNDER SUSPENSION XMEMB.
- 4) ROUTING SYMMETRIC, RH-LH PAIR S.
- 5) WITH DUAL FRAME MOUNTED LEVELING VALVES.
- 6) SUPERCEDES R414-772

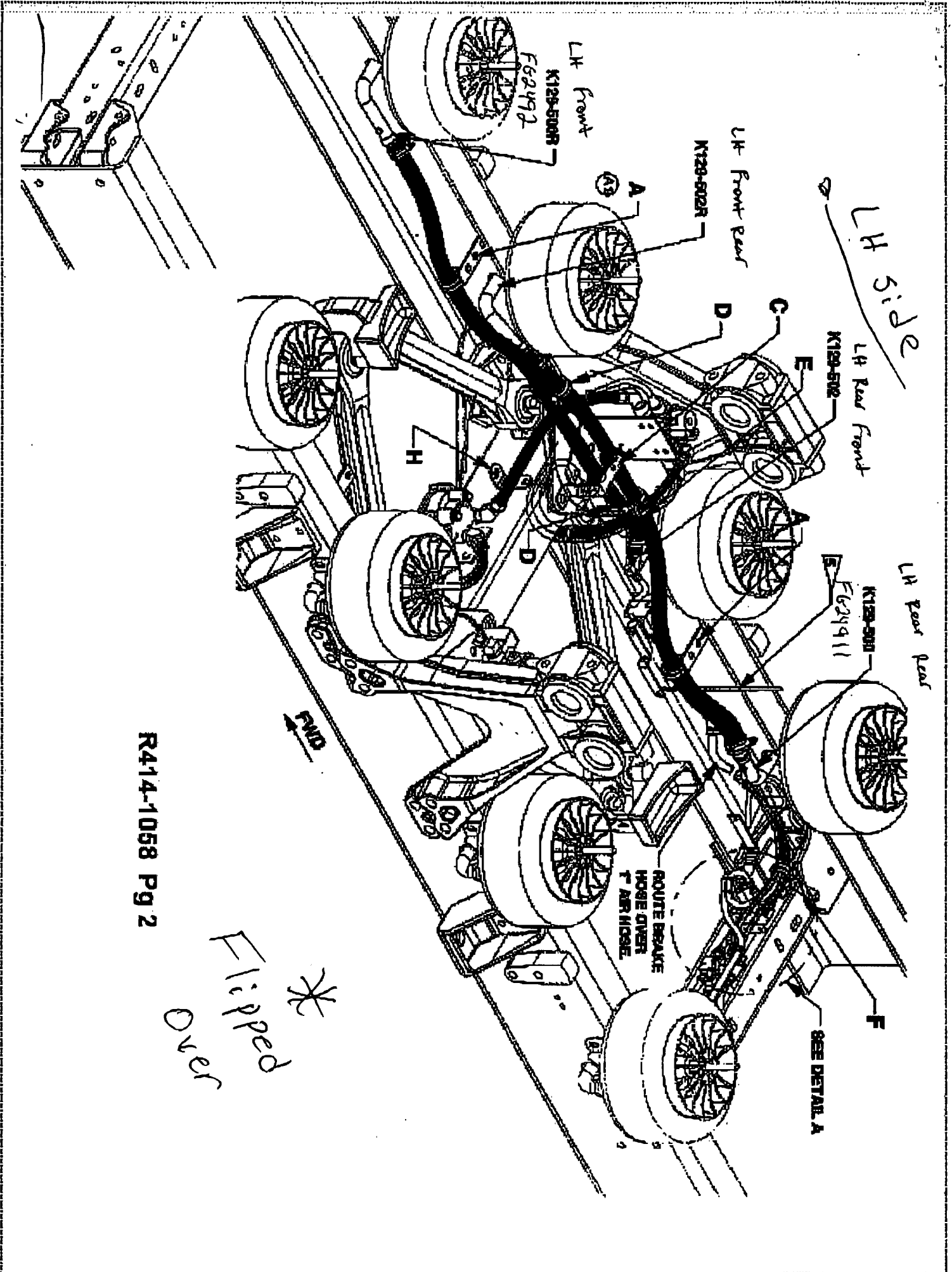
R414-1058 Pg 1

A & 200

* Flipped

Dues

RIGHT HAND
 OBSOLETE
 DO NOT USE
 FOR FIELD SERVICE USE ONLY
 SUPERSEDED BY
 201
 398-102



R414-1058 Pg 2